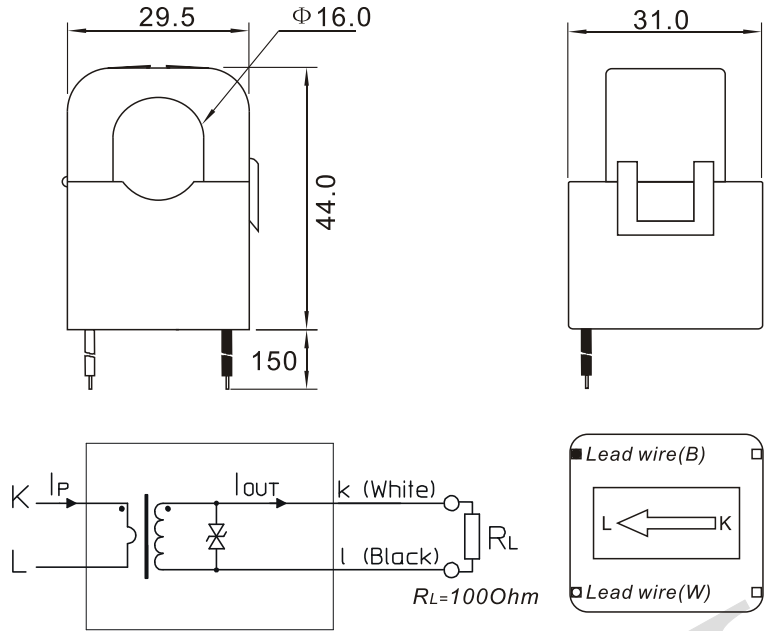
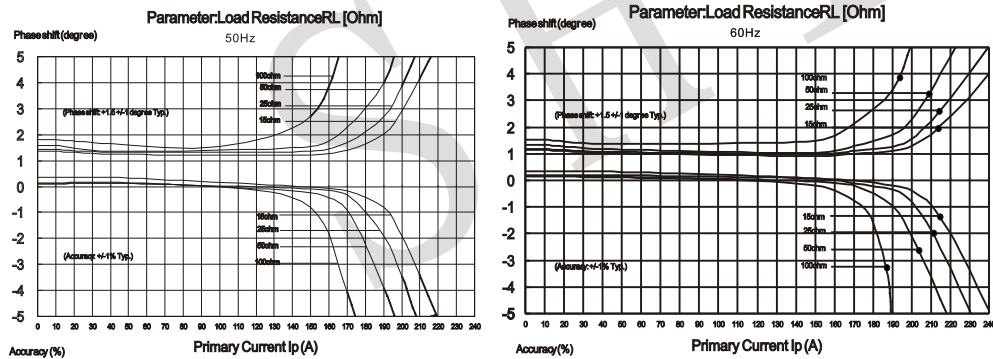


CONSTRUCTIONS & DIMENSION: (UNIT: mm)



CT160F accuracy and phase shift(50/60Hz)



ELECTRICAL CHARACTERISTICS:



Winding (Turn) : 3000 Ts
Max. Current : 300A
Output Current: 33.33mA
Protection level : 7.5Vo-p
Current Range (Recomended) : 10mA~120A
Ip Overload capability - continuous : 300A
- 1 min : 4000A

PERFORMANCE DATA:

XG Overall accuracy @ $I_{PN}, T_A=25^{\circ}C$: $\pm 1\%$
L Linearity error : 0.1%
TCIOUT Temperature coefficient of I_{out} : 60 ppm/K
Phase shift : $1.5^{\circ} \pm 1^{\circ}$
BW Frequency bandwidth ($\pm 1dB$) : 50/60Hz

GENERAL DATA:

TA Ambient operating temperature : $-25 \sim +70^{\circ}C$
TS Ambient storage temperature : $-30 \sim +90^{\circ}C$
ipxx Protection degree : Ip40

ISOLATION CHARACTERISTICS:

Dielectric Strength: 3500 Volt 50Hz for 1 minute between body & wires

General tolerance : $\pm 1mm$
 Primary aperture : 16mm
 Fastening : Cable tie
 Output cable length : 150mm

SHINHOM Inc Unless Otherwise Specified TOLERANCES: .XXX +/- Dimensions in mm www.shinhom.com TEL: +86-29-87851838 FAX: +86-29-87851840	MODEL: Miniature Split-Core Current sensor Transformer	
	P/N: CT160F DWN.	REV.A 2009/08
	CHK.	
	APP.	

PROPRIETARY

Document is the property of SHINHOM Inc & is not allow to be duplicated without authorization