

SCTK663 series retro-fit (split-core) current transformer has been specially designed to facilitate their installation in new or already existing net works. They may be installed without opening any cable or bus-bar circuit. An internal precision resistor across the secondary winding of the CT provides a low safe voltage output. It can save time and the installation costs.

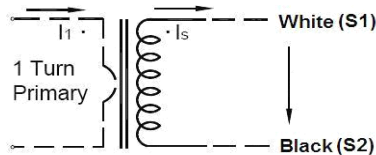
◆ Features

- Epoxy Potting, Double-screw fastening, safe, easy to install, portable
- Wide inner window, allowing clamping of big cables or bus-bars
- Wide range of sizes to accommodate all the existing installations

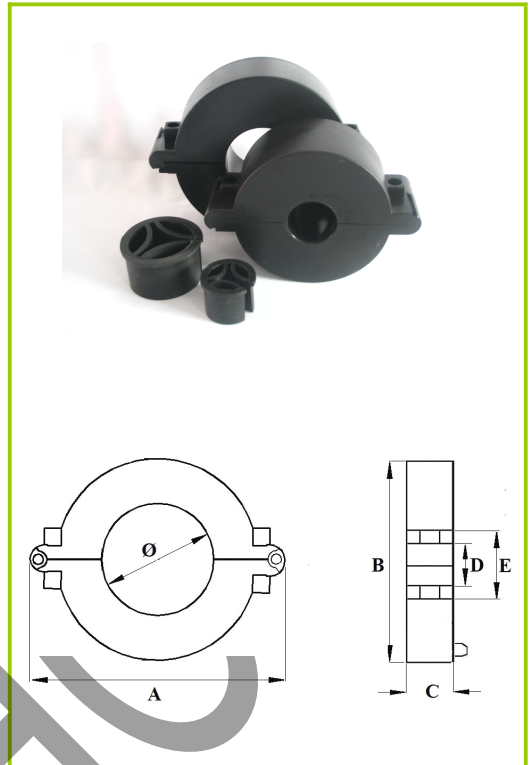
◆ Applications

- Current measurement, monitoring and protection for electrical wiring and equipment.
- Current and power measurement for electric motors, lighting, air compressor, heating and ventilation system, air-condition equipment and automation – control system.
- Current, power and energy monitoring device.
- Relay protection device.

◆ Circuit connection diagram



◆ Technique Index



Electrical Parameter	
Frequency	50-400Hz
Rated Input	5A-1000A
Measuring range	5%In-130%In
Rated Output	0-10V(AC) or 0-5A
Ratio	$\leq \pm 0.2\%$
Phase angle	$\leq \pm 10\text{min}$
Dielectric strength	2.5KV/1mA/1min
Insulation Resistance	DC500V/100MQ min

Mechanical Parameter	
Case	PC /UL94-V0
Bobbin	PBT
Core	Silicon steel
Internal structure	Epoxy
Construction	Tie
Operating Temp	$-25^{\circ}\text{C} \sim +75^{\circ}\text{C}$
Operating Humidity	$\leq 85\%$
Output Connection	UL1015 22AWG Wire(twinsted wire) 2.5m

◆ Type Selection (Output: mA/V)

Mfg P/N	Rated Input (A)	Output (mA/V)	Accuracy	Dimensions(mm/inch)					
				Ø	A	B	C	D	E
SCTK663A-025	5-400A (5, 100, 250, 400A)	0-200mA 0-10V	0.2, 0.5, 1.0	25	118	90	42	16	32
				(1.00)	(4.65)	(3.54)	(1.65)	(0.63)	(1.26)
SCTK663B-045	50-1000A (50, 250, 400, 1000A)	0-500mA 0-10V	0.2, 0.5, 1.0	45	145	113	42	16	32
				(1.77)	(5.71)	(4.45)	(1.65)	(0.63)	(1.26)