

SCTK661 series retro-fit (split-core) current transformer has been specially designed to facilitate their installation in new or already existing net works. They may be installed without opening any cable or bus-bar circuit. An internal precision resistor across the secondary winding of the CT provides a low safe voltage output. It can save time and the installation costs.

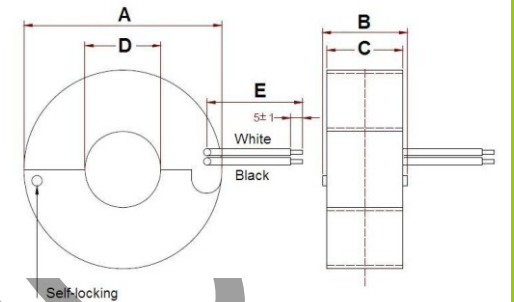
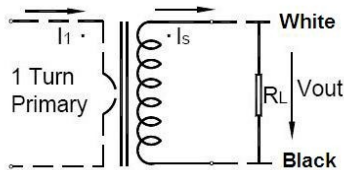
◆ Features

- The structure of the self-locking, safe, easy to install, portable
- Wide inner window, allowing clamping of big cables or bus-bars
- Wide range of sizes to accommodate all the existing installations

◆ Applications

- Current measurement, monitoring and protection for electrical wiring and equipment.
- Current and power measurement for electric motors, lighting, air compressor, heating and ventilation system, air-condition equipment and automation – control system.
- Current, power and energy monitoring device.
- Relay protection device.

◆ Circuit connection diagram



◆ Technique Index

Electrical Parameter	
Frequency	50-60Hz
Rated Input	0.5A-630A
Measuring range	10%In-130%In
Rated Output	0.333V(AC) or 0-500mA
Ratio	± 0.1%
Phase angle	≤ ±30min
Dielectric strength	2.5KV/1mA/1min
Insulation Resistance	DC500V/100MΩ min

Mechanical Parameter	
Case	PC /UL94-V0
Bobbin	PC
Core	Permalloy
Internal structure	Epoxy
Construction	Tie
Operating Temp	-25℃ ~ +75℃
Operating Humidity	≤85%
Output Connection	UL1015 22AWG Wire(twinsted wire) 2.5m

◆ Type Selection

P/N	Rated Input (A)	Output (mA/V)	Accuracy	Dimensions(mm/inch)				
				A	B	C	D	E
SCTK661A-008	0.5-50A (1, 5, 10, 30, 50)	0-50mA 0.333V	0.2, 0.5, 1.0	36.0 (1.42)	22.0 (0.87)	20.0 (0.79)	8.0 (0.31)	2500 (100)
SCTK661B-013	1-100A (5, 10, 50, 75, 100)	0-100mA 0.333V	0.2, 0.5, 1.0	45.0 (1.77)	22.0 (0.87)	20.0 (0.79)	13.0 (0.51)	2500 (100)
SCTK661C-019	5-250A (10, 100, 200, 250, 400)	0-200mA 0.333V	0.2, 0.5, 1.0	60.0 (2.36)	22.0 (0.87)	20.0 (0.79)	19.0 (0.75)	2500 (100)
SCTK661D-023	5-400A (10, 100, 200, 250, 400)	0-200mA 0.333V	0.2, 0.5, 1.0	60.0 (2.36)	22.0 (0.87)	20.0 (0.79)	23.0 (0.91)	2500 (100)
SCTK661E-032	10-630A (20, 100, 250, 400, 600)	0-500mA 0.333V	0.2, 0.5, 1.0	76.0 (2.99)	22.0 (0.87)	20.0 (0.79)	32.0 (1.26)	2500 (100)