



### Features:

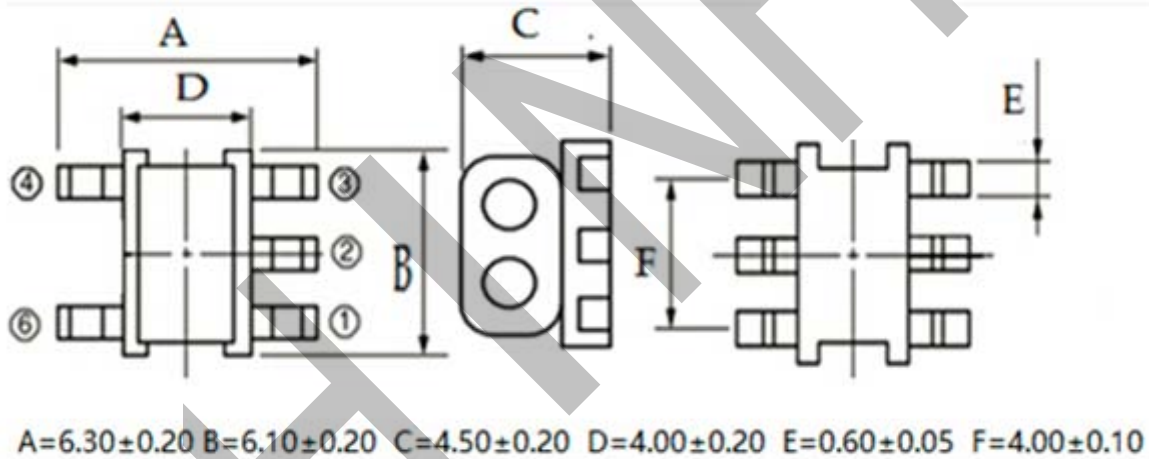
- ◆ 1: 1 Impedance
- ◆ 75 Ω Characteristic Impedance
- ◆ Frequency: 5 to 100 MHz
- ◆ RF power: 0.50W
- ◆ DC current: 30mA
- ◆ Insertion loss: 2.0dB Max; Input Return loss: 10.0dB Min
- ◆ Operating temperature range: -40°C to +85°C
- ◆ Storage temperature range: -55°C to +100°C



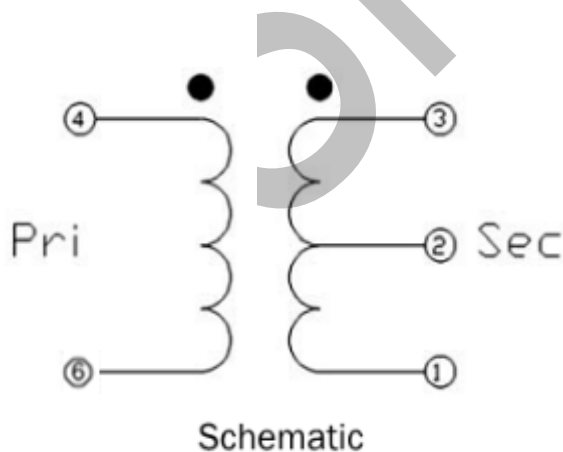
### Applications:

- ◆ For broadband and wireless communications
- ◆ For VHF/UHF receivers/transmitters and push-pull amplifiers

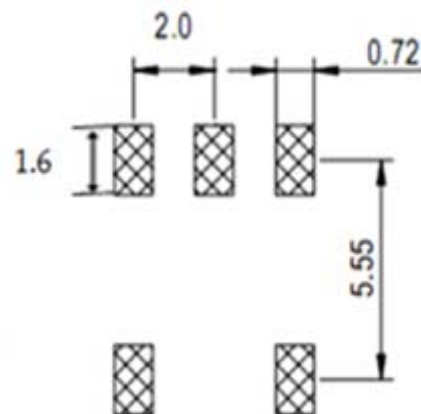
### Dimension Diagram (Unit:mm) :



### Electrical structure:



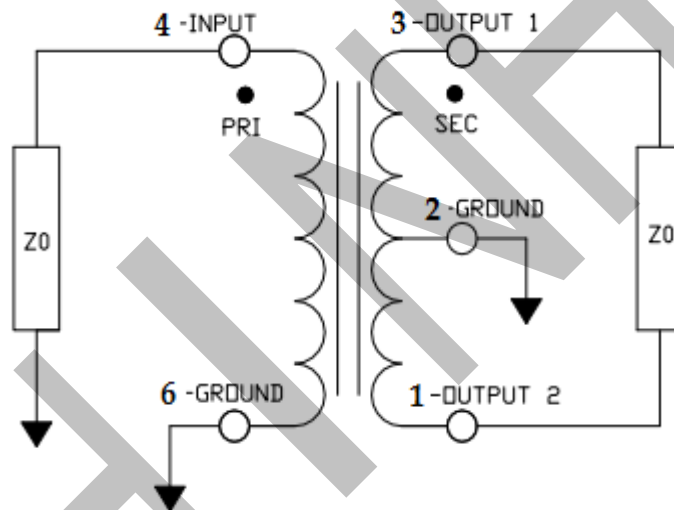
### Recommended layout:



## Pin configuration

Pin no.	Function
1	Secondary (Output 2)
2	Centre tap (Ground)
3	Secondary dot (Output 1)
4	Primary dot (Input)
6	Primary (Ground)

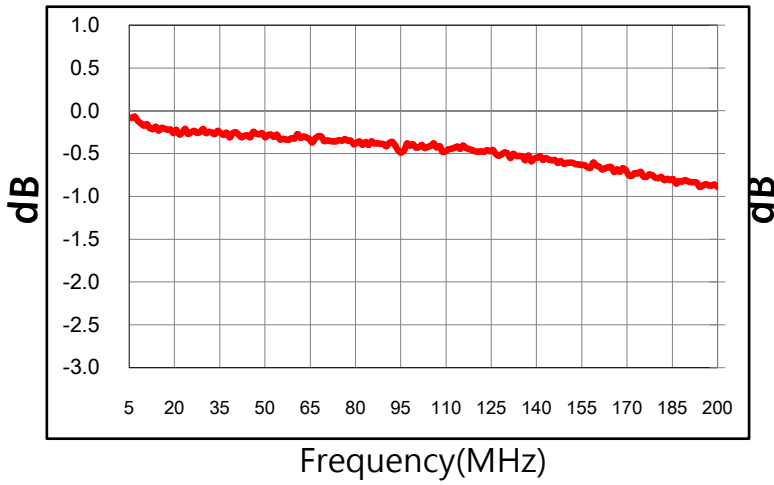
## Application circuit :



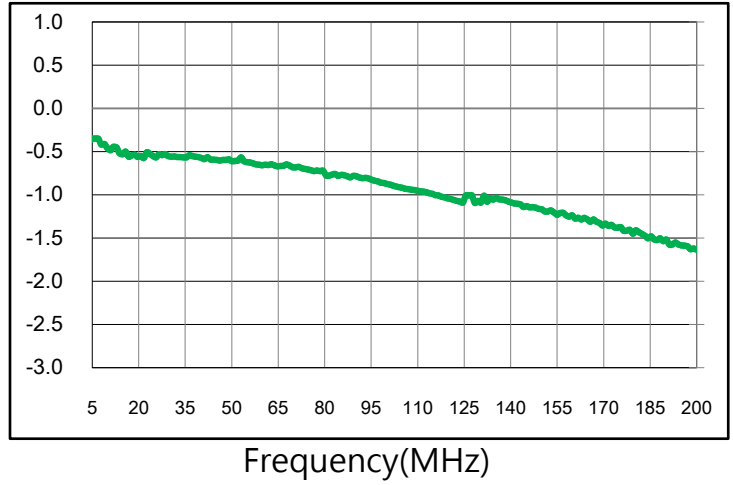
Electrical Specifications:  $T_A = 25^\circ\text{C}$   $Z_0 = 75\Omega$

Parameter	Test Conditions	Units	Min	Typ	Max
Main line Loss(out1)	5-100MHz	dB	—	0.5	1.5
Main line Loss(out2)	5-100MHz	dB	—	1.0	2.0
Amplitude Balance	5-100MHz	dB	—	$\pm 0.5$	$\pm 0.5$
Phase Balance	5-100MHz	Degrees	—	$\pm 1.0$	$\pm 3.0$
Input Return Loss	5-100MHz	dB	10.0	15.0	—

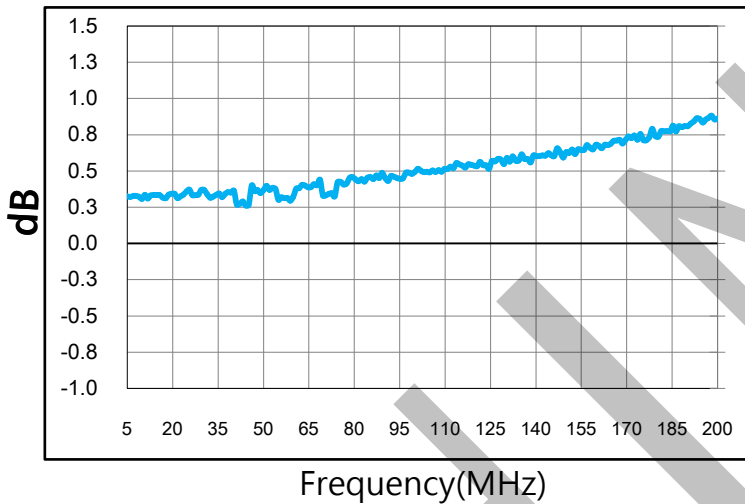
### Main line Loss(out1)



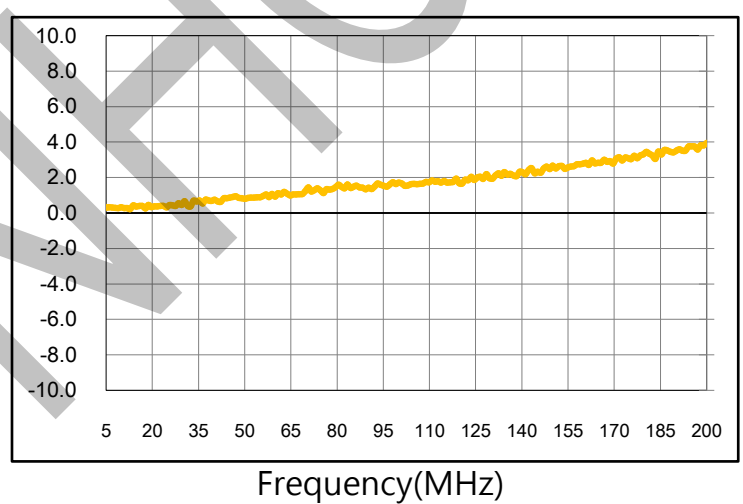
### Main line Loss(out2)



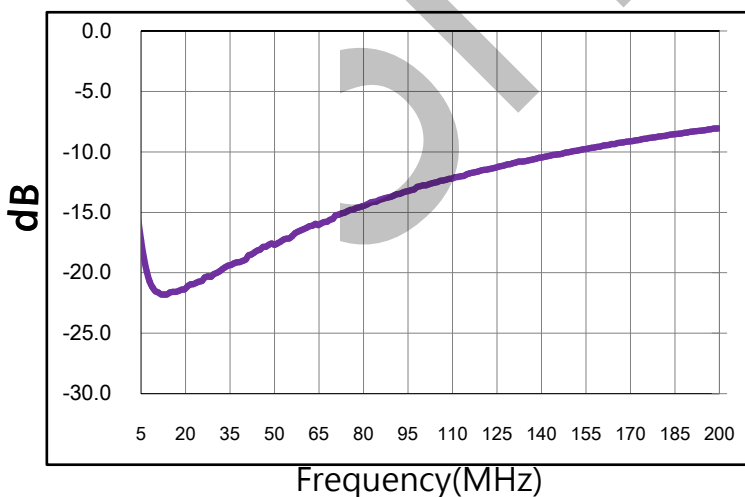
### Amplitude Balance



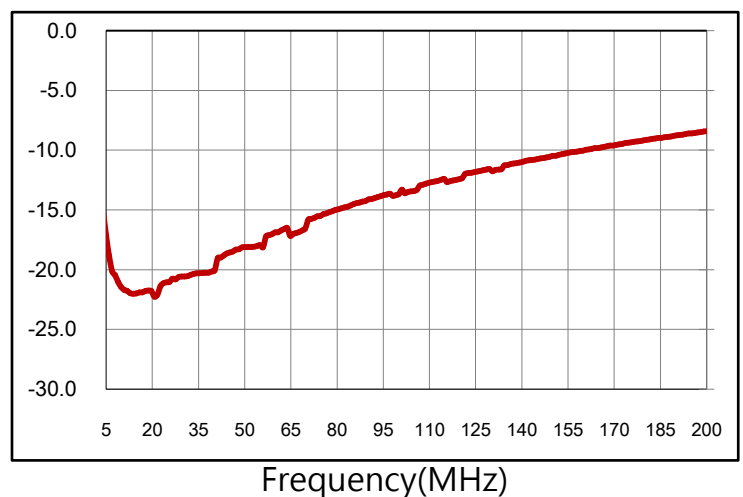
### Phase Balance



### Input Return Loss

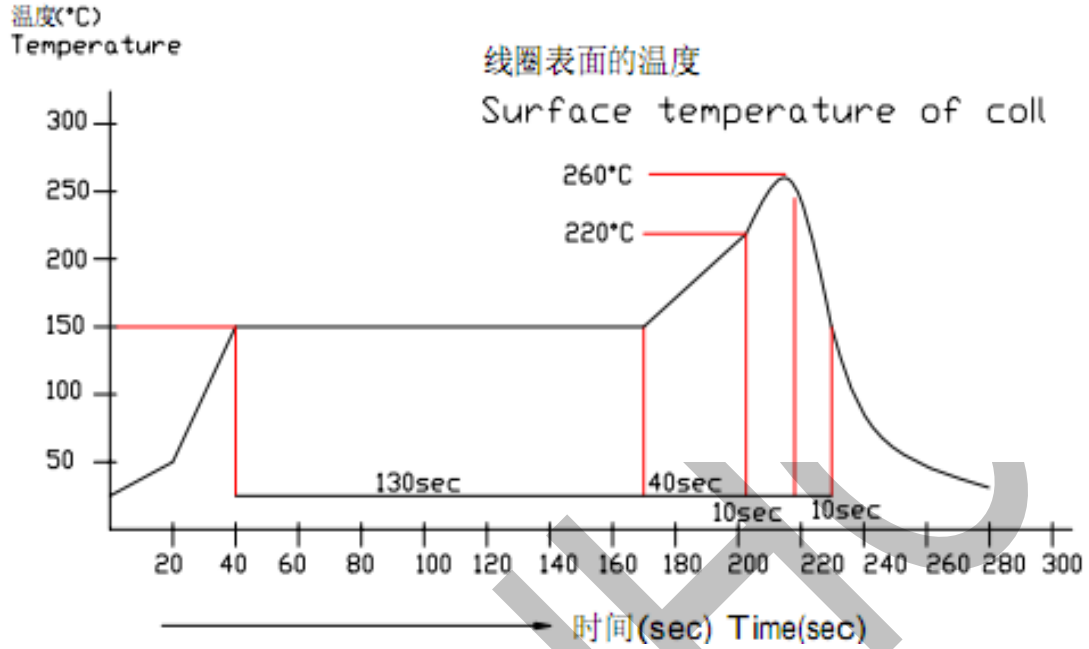


### Sdd22

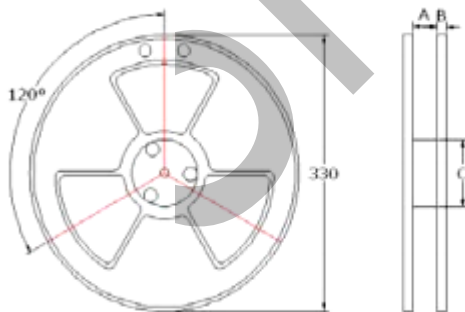
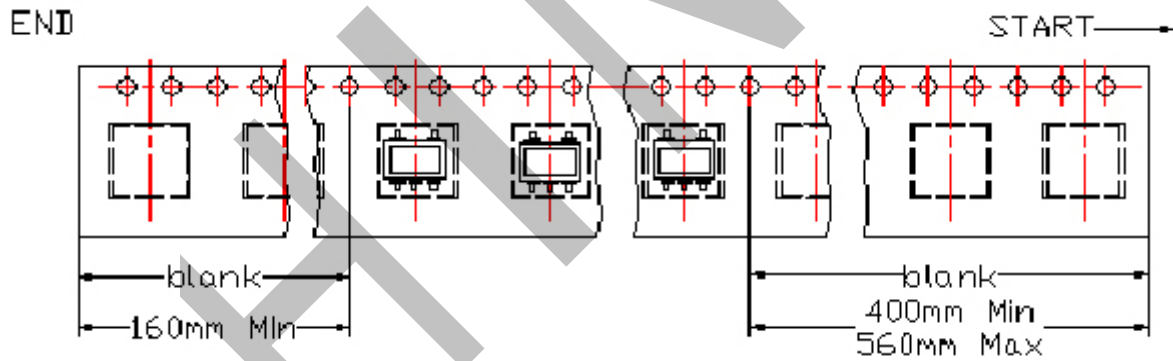


**Recommended Soldering Temperature Graph:**

建议迴焊条件  
The condition of reflow  
(Recommendation)



**Packging Dimension For Caeier Tape(UNIT:mm):**



A	B	C
16.5	2.3	100

**QUANTITY**

1,000PCS/Reel

3Reels/Middle Carton

5 Middle Cartons/Big Carton/15,000pcs