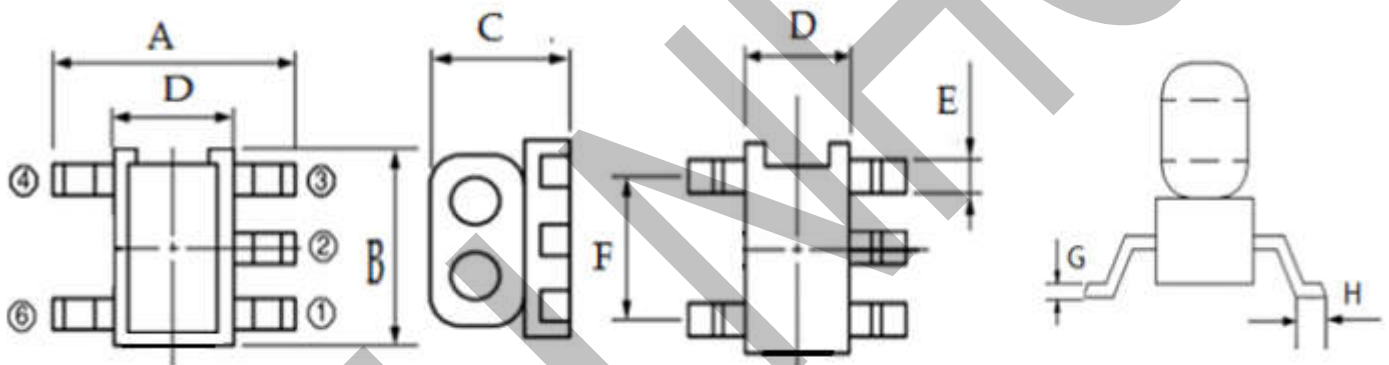


**Features:**

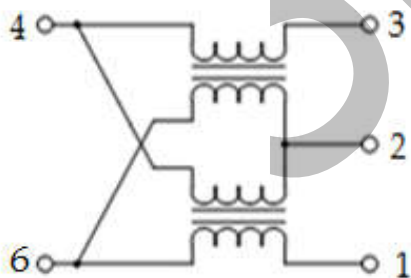
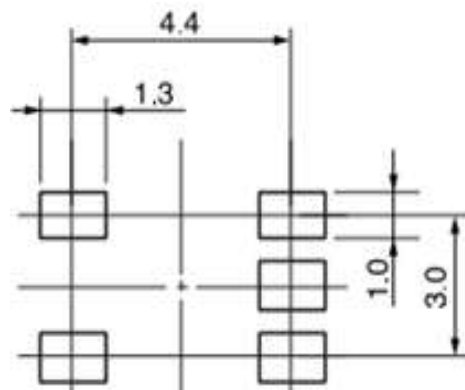
- ◆ Frequency Range: 5 to 1500 MHz
- ◆ Surface mount and available in tape and reel
- ◆ 260°C reflow compatible
- ◆ RoHS Compliant and Pb free
- ◆ Operating temperature range: -40°C to +85°C
- ◆ Storage temperature range: -55°C to +100°C

**Applications:**

- ◆ For catv
- ◆ For broadband and wireless communications

**Dimension diagram (Unit:mm) :**

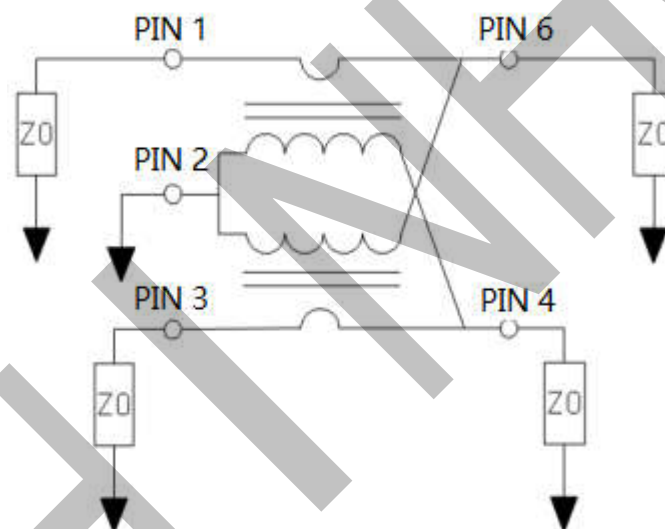
A=5.30±0.20 B=4.30±0.20 C=3.50 Max D=2.80±0.20 E=0.55±0.05 F=3.00±0.05 G=0.25±0.05 H=0.60±0.05

**Electrical structure:****Recommended layout(mm):**

## Pin configuration

Pin no.	Function
1	Input
2	Ground
3	Coupled
4	Isolated
6	Output

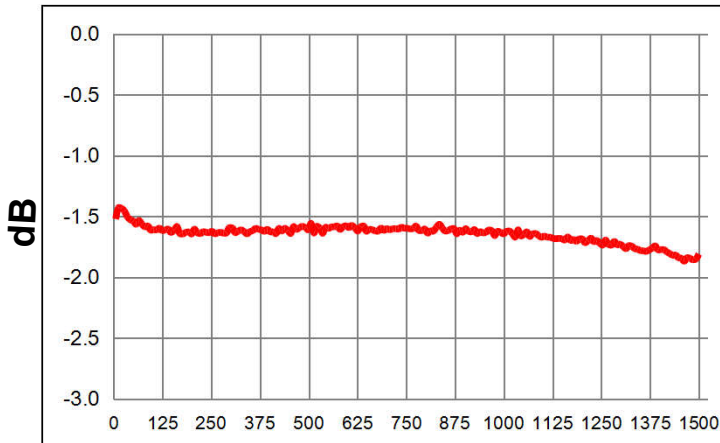
Application circuit :



Electrical Specifications:  $T_A = 25^\circ\text{C}$   $Z_0 = 75\Omega$

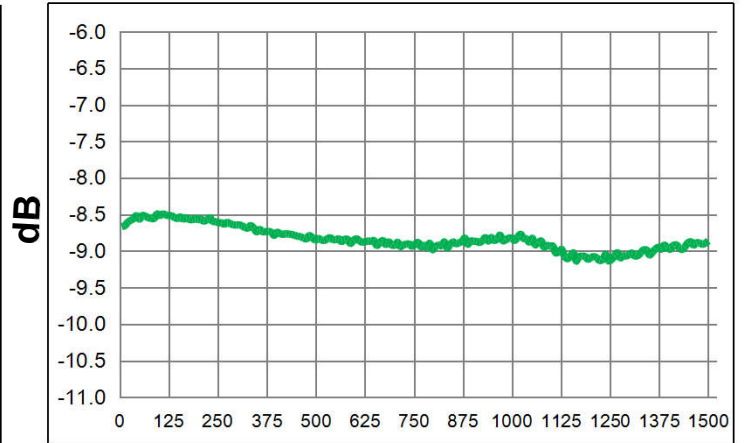
Parameter	Test Conditions	Units	Min	Typ	Max
Main line Loss	5-1500MHz	dB	—	1.6	2.0
Coupling	5-1500MHz	dB	—	9.0	$\pm 0.6$
Input Return Loss	5-1500MHz	dB	16.0	25.0	—
Output Return Loss	5-1500MHz	dB	20.0	25.0	—
Coupling Return Loss	5-1500MHz	dB	16.0	20.0	—
Isolation	5-1500MHz	dB	18.0	22.0	—

Main line Loss(pin1-6):



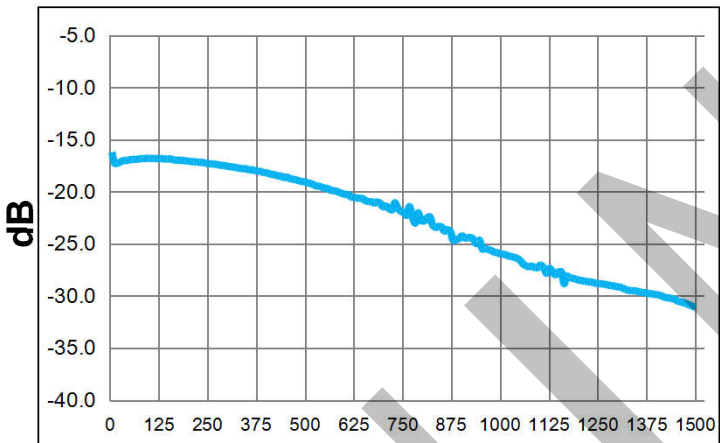
Frequency(MHz)

Coupling(pin1-3):



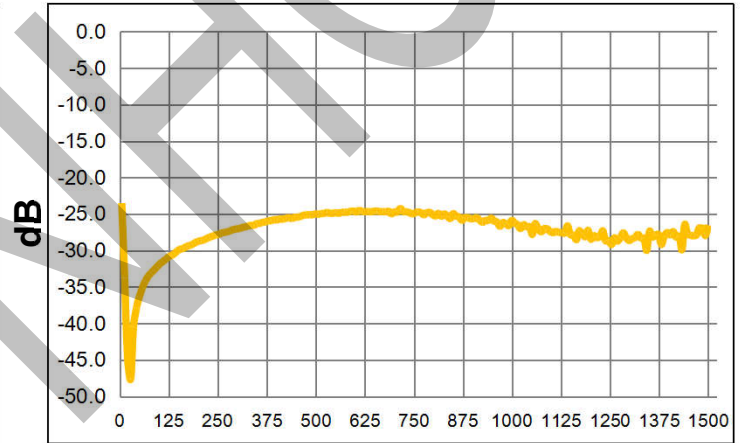
Frequency(MHz)

Input Return Loss (Pin1)



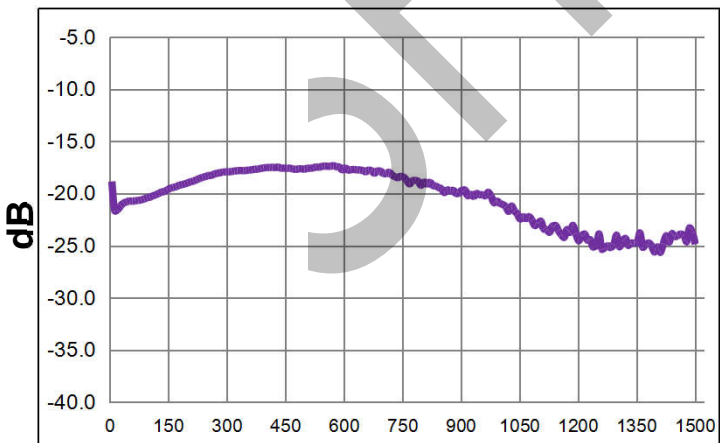
Frequency(MHz)

Output Return Loss (Pin6)



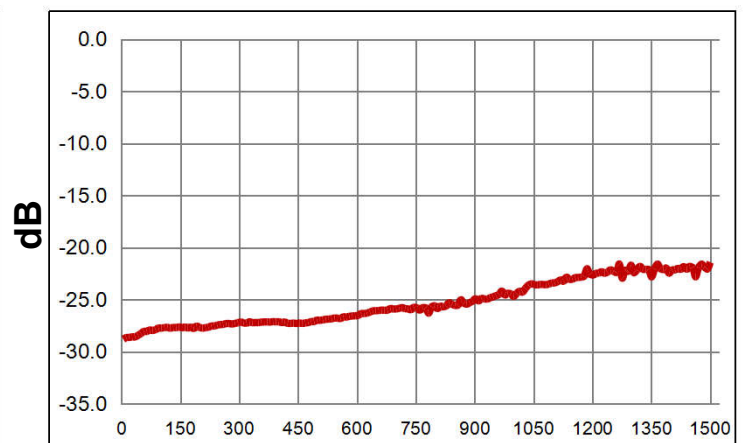
Frequency(MHz)

Coupling Return Loss (Pin3)



Frequency(MHz)

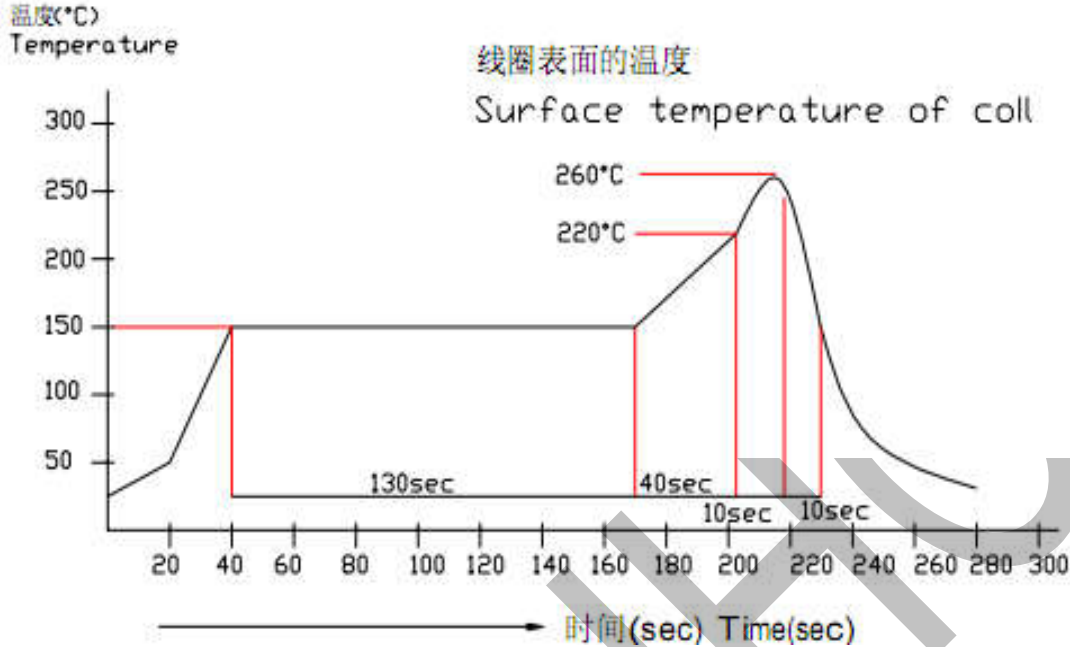
Isolation (Pin1-4)



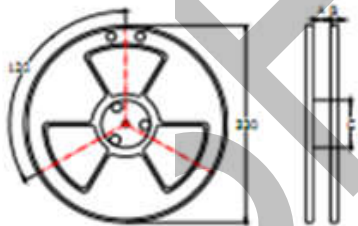
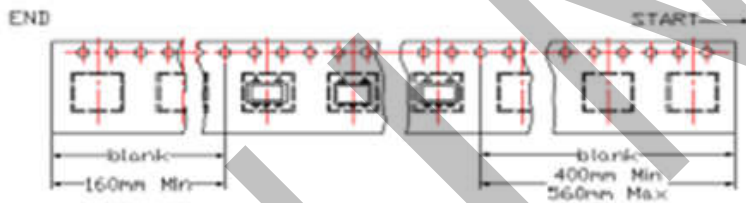
Frequency(MHz)

Recommended Soldering Temperature Graph:

建议迴焊条件  
The condltion of reflow  
(Recommendation)



Packging Dimension For Caeier Tape(UNIT:mm):



SPEC	8	12	16	24	32	44	56	72
DIM A±0.1	8.5	12.5	16.5	24.5	32.5	44.5	56.5	72.5
DIM B±0.1	2.3	2.3	2.3	2.3	2.3	2.3	2.3	2.3
DIM C±0.1	100	100	100	100	100	100	100	100

**QUANTITY**

2000PCS/Reel

15 reel/Big carton/60000pcs