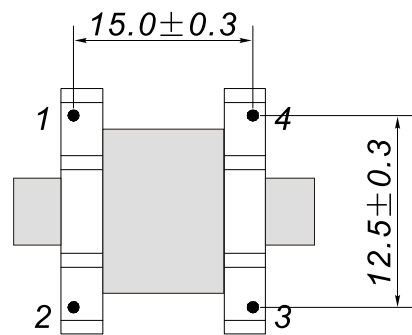
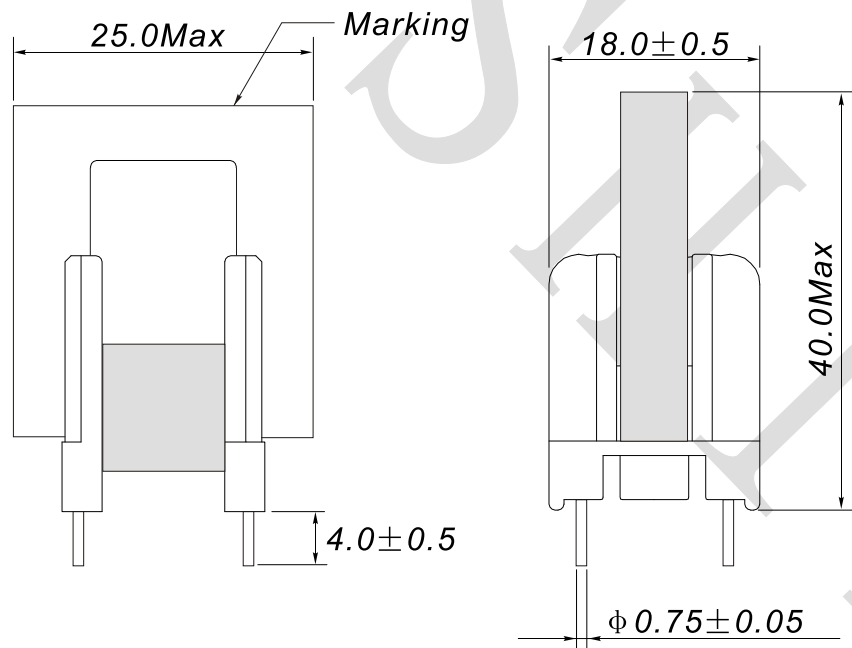


1. PHYSICAL CHARACTERISTICS (mm)



Bottom view

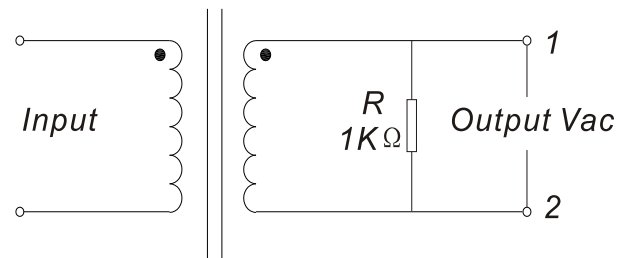
Marking

ACST016L
YYWW

NOTES:

Temp 20°C 48%RH
RoHS Compliant

2. ELECTRONICAL SCHEMATIC



3. ELECTRONICAL SPECIFICATIONS

Input 220Vac	AC 5A	AC 8A	AC 10A	AC 15A	AC 25A
Output voltage (Vac) Load resistance 1KΩ	1.89±5%	2.56±5%	3.1±5%	4.79±5%	7.8±5%

DCR: 410±50Ω @20°C

Insulation resistance: Coil to Core 100MΩ Min, 500Vdc

Isolation voltage: Coil to Core 2KVac, 2mA, 1min

Solder bility: Wetting area: >90%

Temperature: 230±5°C

Time: 3±0.5s

NEME:	Current transformer		
CUSTOMER P/N:		DATE:	2014-02-21
SHINHOM P/N:	ACST016L	REV: A0	PAGE
DRAWN BY	CHECKED BY	APPROVE BY	